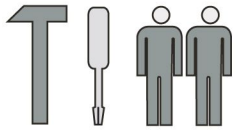








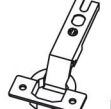

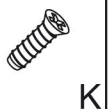
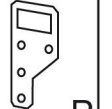

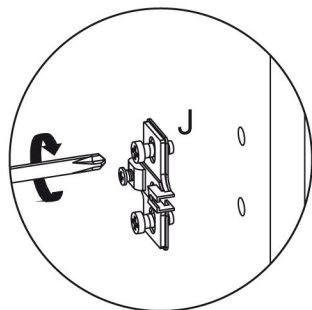
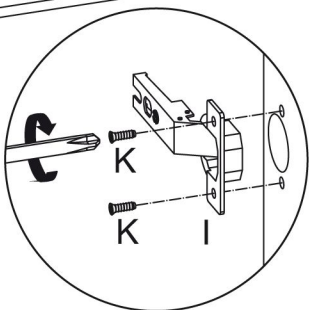
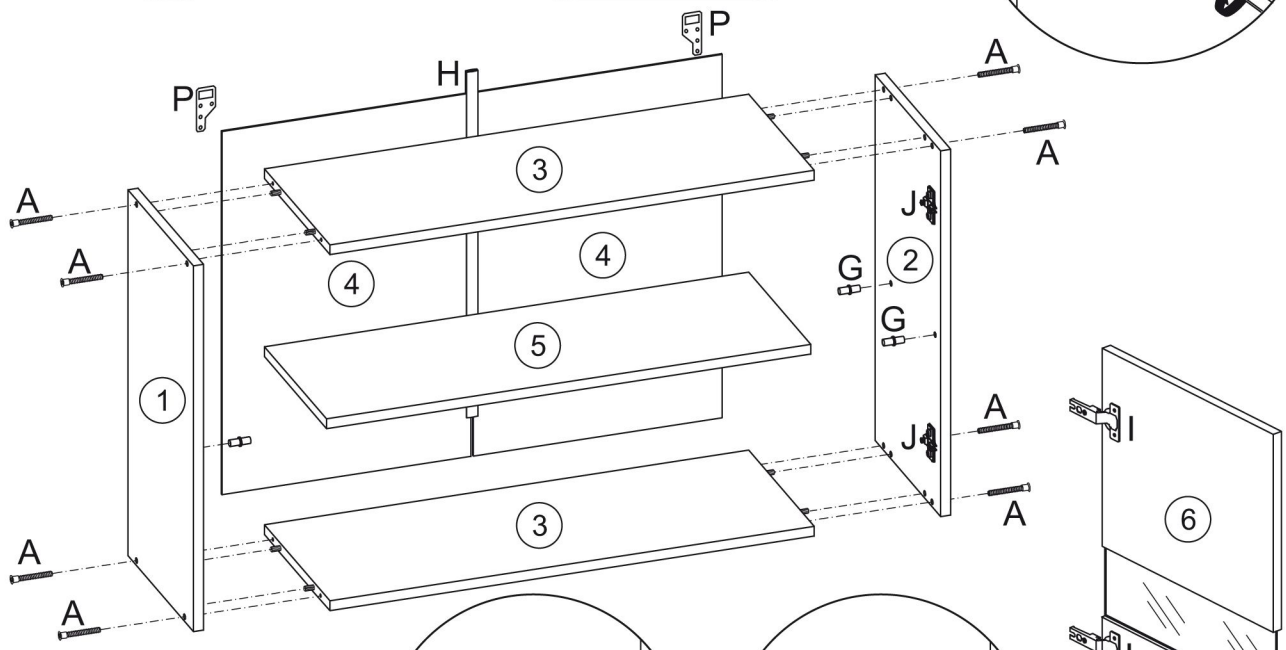
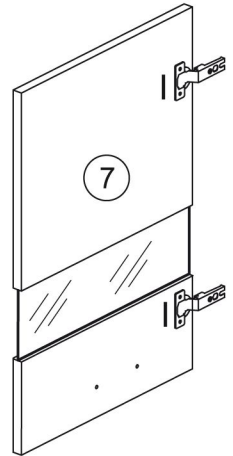
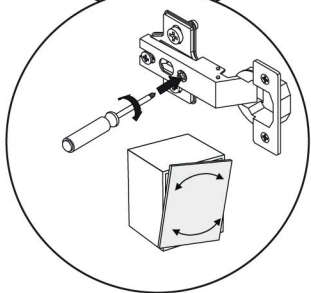
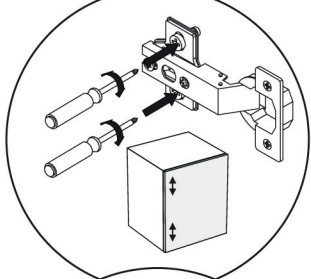
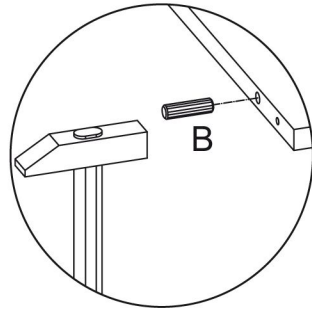
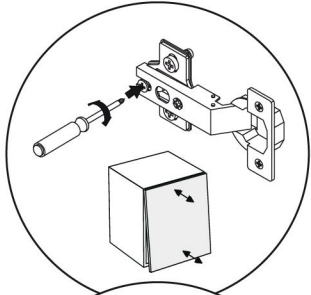
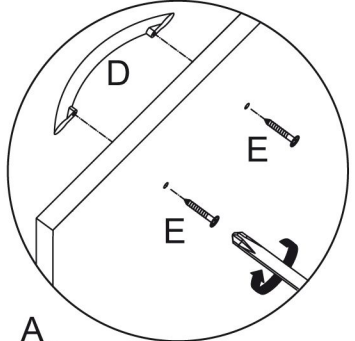
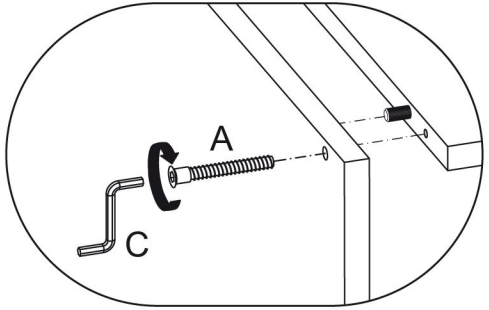
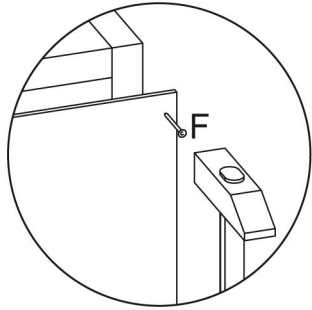
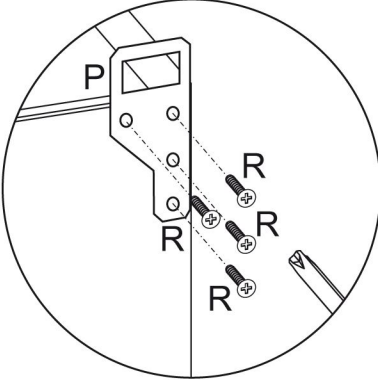


# 80 Up Glass-Case



												
8	8	1	2	4	~20	4	1	4	4	8	2	8



No packer:

Dear Customer.  
We regret to inform you, that in time complaint please give No packer and No missing and spoil element.